

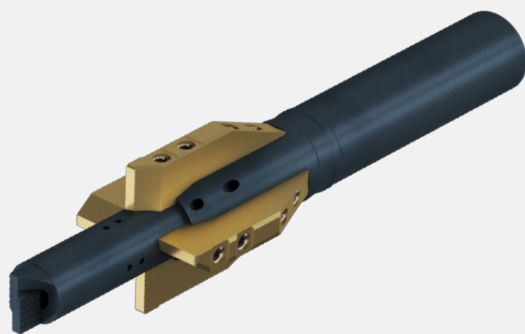
LOCK & LOAD® System

Efficiency enabler

The Archer LOCK & LOAD® System allows the following operations to be conducted within the same trip:

- Install LOCK® or SPARTAN® Plug
- Place cement on top of plug
- Hang off BHA in wellhead during nipping
- Dress off cement plug and tag to verify integrity
- Cut casing
- Pull Casing

The LOCK & LOAD® running tool has full pressure integrity and exposes a large slick ID designed for cementing and has integral cutting structure to dress off the cement prior to tagging.



Typical Applications

- Combining multiple operations saves rig time
- Reduces equipment inventory, due to easy on site redress
- Reduces handling of BHA on rig floor

Specifications

Casing Size, in	7", 9 5/16", 10 3/4", 13 3/8", 14"
Plug Compatibility	LASTLOCK® & SPARTAN®
Tool ID	2.875"
Connection	DS38
Re-dress on rig site	Yes